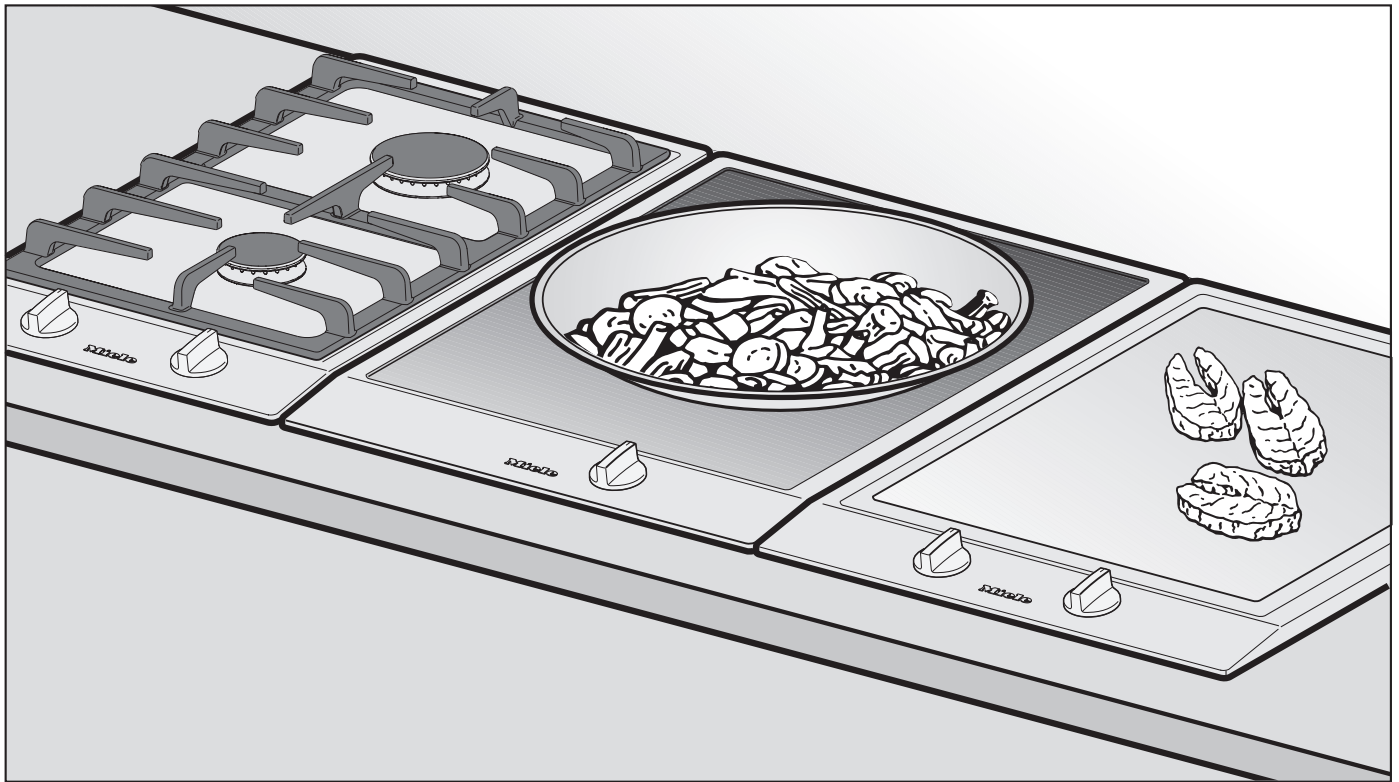


Operating and Installation Instructions



Salamander Grill CS 1421

To prevent accidents and
machine damage,
read the Operating Manual
before
installation or use.

en - CA

M.-Nr. 07 472 000

Contents

Safety instructions and warnings	3
Description of the unit	8
Before using for the first time	9
Operation	10
Raising and lowering the browning unit	10
Switching on and off	10
Browning	11
Keeping food warm	11
Useful tips	11
After use	11
Safety features	12
Safe retraction	12
Height recognition	12
Overheat protection	12
Obstruction protection	12
Care and cleaning	13
Stainless steel	14
Ledge	14
Built-in frame	14
Ceramic surface of the browning unit	14
Frequently asked questions	15
Technical Service	16
SAFETY INSTRUCTIONS FOR INSTALLATION	18
Installation	21
Installation dimensions	21
Installation of multiple appliances	23
Attach the spring clips and support bars	26
Installing the appliance	28
Sealing	29
Tiled surfaces	29
Electrical connection	30
Help protect our environment	31

Safety instructions and warnings

WARNING- When using your appliance follow basic precautions, including the following:

Read all instructions before installation or use to prevent injury and appliance damage.

This appliance conforms to all uniform safety codes and regulations. The manufacturer cannot be held responsible for damage or injury caused by improper use of this appliance.

Keep these operating instructions in a safe place and pass them on to any future user.

SAVE THESE INSTRUCTIONS.

Correct use

▶ The grill is intended for household use only, as described in these instructions. Using it for other purposes is not permitted, and may be dangerous. The manufacturer will not be held liable for damage caused by incorrect or unauthorized use of the appliance.

▶ Individuals who are incapable of using the appliance safely because of reduced physical, sensory or mental capabilities, or because of a lack of experience or knowledge, must not use this appliance without supervision or instruction by a responsible person.

Safety instructions and warnings

Children

- ▶ Always supervise any children in the vicinity of the appliance. Do not allow children to play with the unit.
 - ▶ Children should use the grill only if they have received sufficient instruction to operate it safely. They must be able to understand and recognize the potential hazards of improper operation.
 - ▶ Take special care that children do not put their fingers under the retracting browning unit. There is a risk of injury.
 - ▶ The ceramic surface of the browning unit and the ledge become hot during operation, and remain so for quite some time after being switched off. Keep children away from the appliance until it has cooled down enough that there is no longer any danger of burns.
 - ▶ The heating element of the browning unit glows very brightly. Therefore, do not allow children to look directly at the heating element.
 - ▶ Do not keep any items that might attract children in the storage areas above or behind the appliance. Otherwise, a child might be tempted to climb on the grill and risk being burned.
 - ▶ To avoid injury from burns and scalding, ensure that children are unable to pull down hot dishes onto themselves from the appliance.
- ▶ Packing materials (cling wrap, styrofoam) can be dangerous for children because of the danger of suffocation. Keep such materials out of the reach of children, and dispose of them as promptly as possible.

Safety instructions and warnings

Technical safety

- ▶ Only skilled persons duly authorized by the manufacturer may install this appliance or perform maintenance and repair work on it. Work performed by unqualified persons carries the risk of serious harm to the user, for which the manufacturer will not be held liable.
- ▶ Before installation, check the appliance for visible signs of external damage. NEVER under any circumstances operate a damaged appliance. It may endanger your safety.
- ▶ The electrical safety of this appliance can only be guaranteed if it is grounded in compliance with applicable safety regulations. It is very important to make sure that this essential safety requirement is met. In case of doubt, have a qualified electrician check the wiring. The manufacturer will not be held liable for damage or injury, such as electric shock, caused by a missing or broken grounding conductor.
- ▶ Before plugging in the appliance, ensure that the electrical rating (voltage and frequency, as indicated on the model data plate) corresponds to the household electrical supply. These ratings must match, in order to avoid damaging the appliance. If in doubt, please consult a qualified electrician.
- ▶ Do NOT use a power bar or extension cord to connect the appliance to the power supply. They do not guarantee the required safety of the appliance (e.g., danger of overheating).
- ▶ For safety reasons, this appliance must not be used as a free-standing device. It must be properly installed.
- ▶ If the plug is removed from the power cord, the appliance will need to be installed and connected by a qualified electrician. Please hire a qualified electrician who is thoroughly familiar with all applicable local and national power authority regulations, and who will carefully comply with these requirements. The manufacturer will not be held liable for damage caused by incorrect installation or connection.
- ▶ If the power cord is damaged, it must be replaced by a special cord (Type H 05 W-F, PVC insulated), which can be obtained from the manufacturer or from Customer Service.
- ▶ Do not under any circumstances open the appliance housing. Tampering with the electrical connections, or altering the electrical or mechanical configuration, may endanger your safety and may impair the functioning of the appliance.

Safety instructions and warnings

- ▶ Repair of the appliance during the warranty period should be performed only by Customer Service personnel who are duly authorized by the manufacturer; otherwise any damage will not be covered by the warranty.
- ▶ Before any maintenance or repair work is performed, the appliance must be disconnected from the main power supply. It is electrically disconnected only when one of the following conditions is met:
 - the fuses or circuit breakers are tripped.
 - the screw-in type fuses are fully unscrewed.
 - the power cord is disconnected from the electrical power supply. To disconnect appliances with plugs, pull on the plug itself, instead of on the cord.
- ▶ Defective components should be replaced by Miele original replacement parts only. Only these parts are guaranteed by the manufacturer to comply with safety requirements.
- ▶ Do not operate the grill if there is a defect or if the ceramic surface of the browning unit is cracked, chipped or damaged in any way. Immediately switch it off. Then disconnect it from the power supply. If you fail to follow these steps, there is a danger of electric shock!

Correct use

- ▶ The appliance becomes hot during use and remains so for some time after being switched off. Caution: Danger of burns!
- ▶ Protect your hands whenever working with a hot appliance - wear oven mitts and use potholders, for example, making sure that they are not wet or damp. Moisture would only increase heat conductivity, potentially causing burns.
- ▶ NEVER use the appliance to heat up sealed containers, such as canned foods. The resulting build-up of pressure can cause containers to explode, with the risk of injury and burns.
- ▶ Do not use the appliance as a space heater. The high temperatures can cause easily flammable materials in the vicinity to catch fire. This will also reduce the lifespan of the appliance.

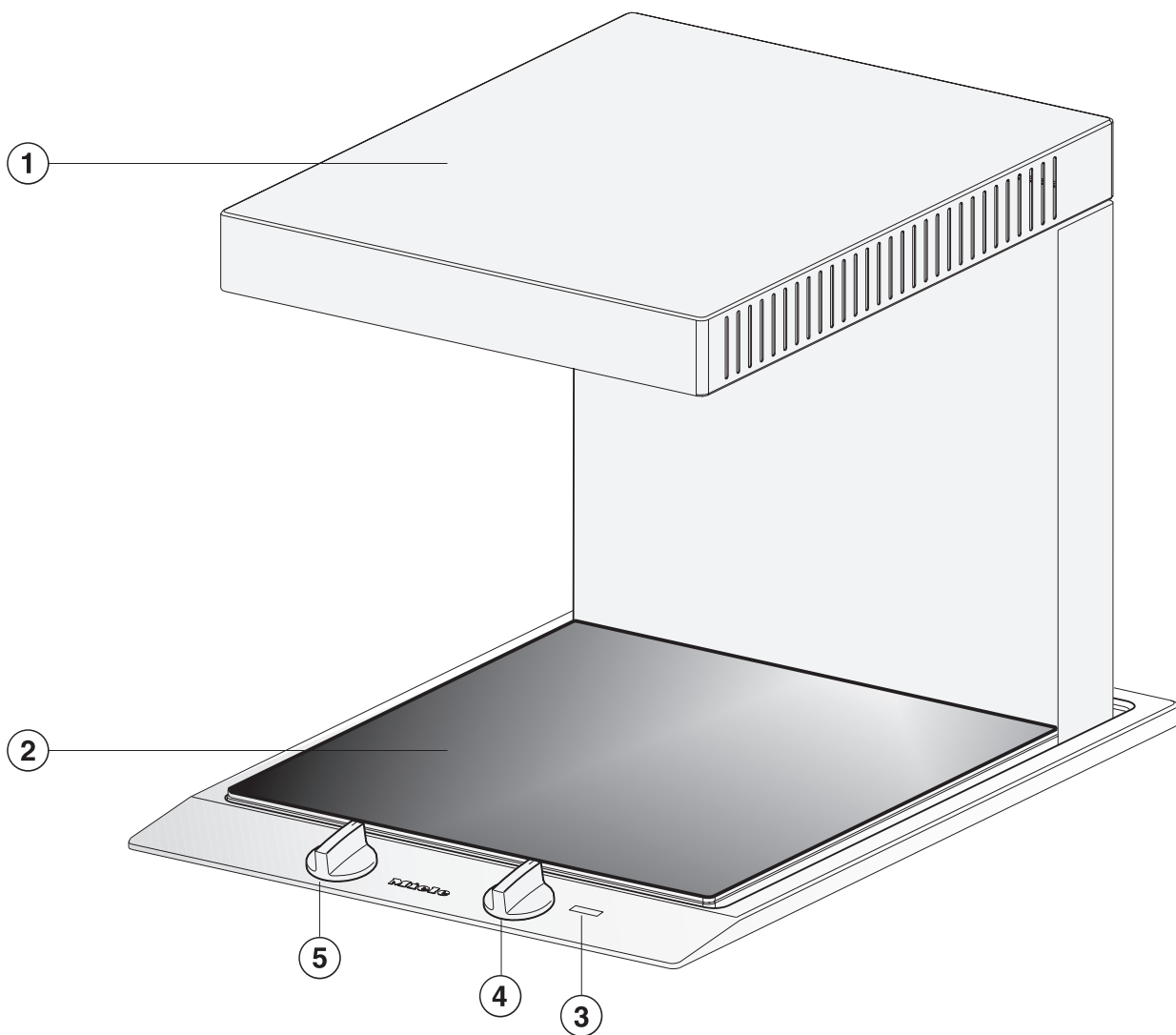
Safety instructions and warnings

- ▶ Do not set up or operate the appliance in the open air.
- ▶ Do not use the ledge for storage. If the appliance is accidentally switched on or there is residual heat, there is the danger that any items located there will heat up and melt, depending on the materials involved, and generating a risk of fire and burns.
- ▶ Do not keep heat-sensitive items in proximity to the appliance. The appliance radiates heat during operation. There is the danger that such items - depending on the material - will heat up and ignite, or begin to melt or burn.
- ▶ Never leave the grill unattended while browning or warming food. It could burn and become inedible.
- ▶ If hot fat or oil catches fire, NEVER use water to douse the flames. Use a lid or a wet dishtowel, for example, to smother the fire.
- ▶ If the appliance is plugged into a nearby socket, check to be sure that the power cord does not come into contact with the hot appliance. This could damage the insulation on the cord. Danger of electrocution!
- ▶ Make sure that the dishware used is heat-resistant. NEVER use plastic dishes! Fire hazard!
- ▶ To avoid scratching, never place anything on the surface of the browning unit.
- ▶ Use only dishes with smooth undersurfaces. Rough undersides will scratch the ceramic surface. Move dishes by lifting rather than sliding them. This will help prevent scuffing and scratching.
- ▶ Keep the appliance surfaces clean. Grains of salt, sugar or sand may cause scratching.

The manufacturer cannot be held liable for damage caused by non-compliance with these Important Safety instructions.

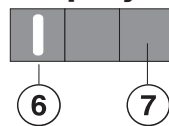
**SAVE THESE INSTRUCTIONS
AND REVIEW THEM
PERIODICALLY**

Description of the unit



- ① Browning unit, retractable
- ② Ledge, removable
- ③ Display
- Control knob
- ④ For setting the power level
- ⑤ For selecting the height of the browning unit

Display



- ⑥ "ON" light
- ⑦ Residual heat indicator

Clean the appliance

- Remove any protective foil.
- Wipe down all surfaces with a damp cloth, then dry.

The metal parts have a protective coating. This will cause an odour the first time the appliance is used. Note that the odour and any vapours will disappear after a brief period of time and are not a sign of malfunction or a defective appliance.

Operation

Raising and lowering the browning unit

- To **raise** the browning unit, turn the left-hand control to Extend ("▲").

The browning unit will automatically extend to its full height, even when you release the control knob back to "●". You can stop the unit at any height by briefly turning the control knob to "▼".

- Turn the left control knob to **Retract** ("▼"), and hold it until the desired height is reached or the browning unit is fully retracted.

The browning unit can be fully retracted only once the residual heat indicator goes out.

Switching on and off

Do not leave the appliance unattended while in use.

The appliance is **switched on** when the right control knob is turned to the desired setting, and is **switched off** when the knob is turned to "0".

The knob can be turned clockwise or counter-clockwise to switch the appliance On and Off.

The ON light comes on when the appliance is in operation.

As soon as a certain temperature is reached, the residual heat indicator comes on as well. The indicator will not go out until the ceramic glass plate of the browning unit is safe to touch.

The appliance will not heat up unless the browning unit is raised to at least 2 ³/₄" (70 mm).

Browning

- Raise the browning unit.
- Place the dish you wish to brown on the ledge.
- Lower the browning unit until the heating element is $1 \frac{3}{16}$ " - $1 \frac{15}{16}$ " (30 - 50 mm) away from the top of the food.
- Turn the control knob to setting "12".

The food will brown in 3-5 minutes, depending on the desired result.

Brown only one dish at a time.

Keeping food warm

Food items can be kept warm for a few minutes under the browning unit.

- Raise the browning unit.
- Place the dish you wish to keep warm on the ledge.
- Lower the browning unit until the heating element is approx. $3 \frac{15}{16}$ " (100 mm) away from the top of the food.
- Turn the operating knob to a medium setting.

Useful tips

You can use the appliance to melt cheese over such items as meat, (toasted) bread, and vegetables. You can also use the browning element for desserts, to caramelize the sugar topping on creme brûlée, for instance.

However, the appliance is not suitable for reheating food (store-bought dishes, leftovers).

After use

- Switch the appliance off.
- After each use, clean the appliance while it is still somewhat warm to the touch (see "Cleaning and care").
- Do not lower the browning unit until the residual heat indicator has gone out.

Safety features

Safe retraction

To avoid damaging the appliance, your grill is equipped with a retraction safety device. The browning unit can be fully retracted only once the appliance has cooled sufficiently, i.e., after the residual heat indicator has gone out.

Height recognition

The unit heats up only when the browning unit is raised at least $2\frac{3}{4}$ " (70 mm) above the ledge.

Overheat protection

The halogen heating element in the browning unit is equipped with overheat protection. This feature automatically switches off the heating element if the ceramic cooktop is in danger of overheating. Once the ceramic surface has cooled down sufficiently, the heating element automatically switches back on. You will recognize activation of the overheat protection if the heat keeps switching on and off at the highest power setting.

Obstruction protection

As soon as the browning unit encounters any resistance with a diameter greater than $\frac{3}{8}$ " (10 mm) between the browning unit and the ledge, the process is interrupted and the browning unit automatically rises again by about $\frac{3}{8}$ " (10 mm).

Warning: NEVER use a steam cleaner to clean this appliance. Steam could reach the electrical components and cause a short circuit.

Clean the appliance on a regular basis, preferably after each use. First allow the appliance to cool down. After any cleaning with liquid, wipe the appliance dry. This will help prevent limescale deposits.

To avoid damage, do not use the following cleaning products:

- products containing washing soda, acids/alkalis, ammonia, or bleach,
- products containing scale removers,
- stain and rust removers,
- scouring cleansers, e.g., scouring powder, scouring liquid, pumice stones,
- products containing solvents,
- dishwasher cleaner,
- grill or oven spray cleaners,
- glass cleaners,
- scouring brushes and sponges (such as pot scrubbers), or used sponges that still contain abrasive cleanser residue.
- sharp objects (they can damage the seals between the frame and the countertop).

Care and cleaning

Stainless steel

Use a non-abrasive stainless steel cleanser for cleaning the appliance. To help keep the appliance clean longer, we recommend using a stainless steel care product (see "Optional accessories"). Apply the product sparingly, using a soft cloth.

Do not use stainless steel cleanser on areas where there is printing. It will rub away the printing. Instead, use a soft sponge with some dish liquid and warm water to clean printed areas.

Ledge

Clean the ledge after each use, with a soft sponge, some dish washing liquid and warm water. Pre-soak any stubborn residue before cleaning. Dry all surfaces with a soft cloth.

Note: The ledge is not dishwasher safe.

The ledge can be removed for easier cleaning of the ledge and the underlying frame.

When re-inserting the ledge, check that it is positioned correctly. If it is not positioned correctly, the browning unit will not lower completely.

Built-in frame

Clean the built-in frame regularly. Always promptly remove food spatters and liquids. Clean the frame with a soft cloth, some dish detergent and warm water, and then dry with a soft cloth.

Ceramic surface of the browning unit.

First, remove any coarse residue with a damp cloth.

Next, clean the surface with a special cleaner for glass ceramic and stainless steel (see "Optional accessories"), on paper towel or a clean cloth. Do not apply cleaner while the surface is still hot, as this can leave spots. Follow the instructions indicated by the manufacturer of the cleaning product.

Finish by rinsing the ceramic surface with a damp cloth, then dry. Be sure to remove all cleaning product residue. Failure to do so can cause residue to burn into the surface during subsequent use, damaging the ceramic.

Frequently asked questions

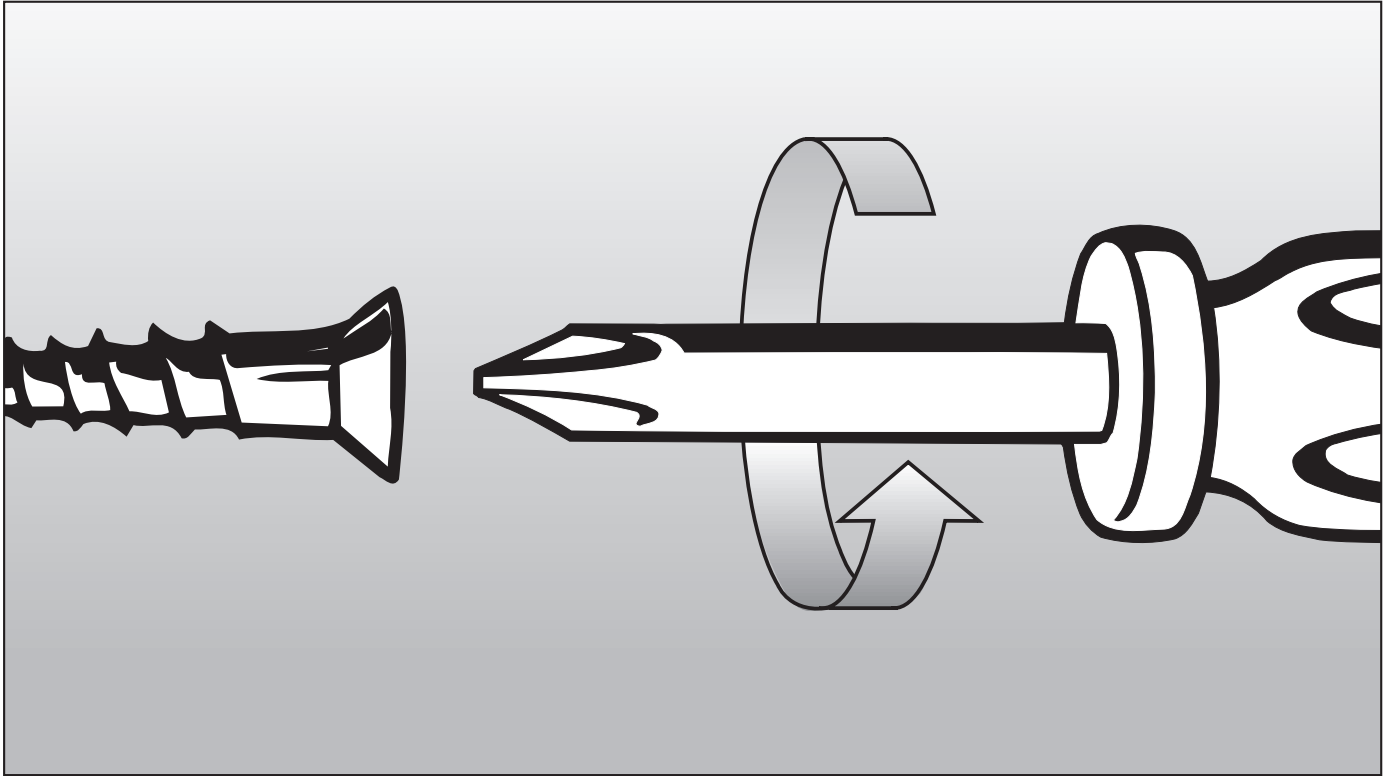
Repairs should only be carried out by an authorized technician in accordance with local and national safety regulations. Unauthorized repairs could cause injury or appliance damage. The manufacturer cannot be held responsible for unauthorized work.

The unit will not raise?	
Possible fault	Solution
Dirt has built up in the gap around the browning unit or something has become stuck.	Remove the dirt or the object which has become stuck.
The fuse or breaker was tripped.	Contact a qualified electrician or Miele Technical Service for assistance.
The unit will not heat up?	
Possible fault	Solution
The browning unit is not raised sufficiently, by at least 2 ³ / ₄ " (70 mm).	Raise the browning unit by at least 2 ³ / ₄ " (70 mm).
The ledge is not inserted or positioned correctly.	Insert the ledge or position it correctly.
There has been a power outage during operation, and the heating has been shut off.	To place the appliance back in operation, turn the control knob to "0" and fully lower the browning unit.
The unit will not retract?	
Possible fault	Solution
The appliance is not sufficiently cooled down. The residual heat indicator must be off.	The residual heat indicator must be off before the unit can be retracted.
The ledge is not positioned correctly.	Position the ledge correctly
When retracted, the browning unit continues to move slightly upwards	
Possible fault	Solution
An object has come between the browning unit and the ledge	Remove the object (see "Safety features / Obstruction protection").

Technical Service

In the event of a fault which you cannot easily fix yourself, please contact the Miele Technical Service Department at the address on the back of this booklet.

When contacting Technical Service please quote the serial number and model of the appliance. This information is visible on the silver data plate supplied with the appliance.



Installation Instructions

IMPORTANT: SAVE FOR THE LOCAL ELECTRICAL INSPECTOR'S USE

To prevent accidents
and machine damage
read these instructions
before
installation or use.

SAFETY INSTRUCTIONS FOR INSTALLATION

Note to the installer:

Please leave this instruction book with the consumer for the local electrical inspector's use.

The minimum distances given in these Installation Instructions must be observed in order to ensure safe operation. Failure to do so increases the risk of fire.

The cabinetry and venting hood should be installed first to prevent damage to the cooktop.

▶ The countertop must be bonded with heat resistant (212 °F/100 °C) adhesive to prevent distortion or dissolving.

▶ This appliance has not been designed for maritime use or for use in mobile installations such as recreational vehicles or aircraft. However, under certain conditions it may be possible for installation in these applications. Please contact the Miele Technical Service Department with specific requirements.

▶ The appliance should not be installed immediately beside an electric barbeque (CS 1312/1322) or the Tepan Yaki (CS 1326). A minimum distance of 5 ⁷/₈" (150 mm) must be maintained between these units.

▶ Ensure that the power cord will not be subject to mechanical strain after installation.

▶ Also ensure that the power cord will not come into contact with any hot spots on the appliance after installation. Otherwise, the cable could suffer heat damage.

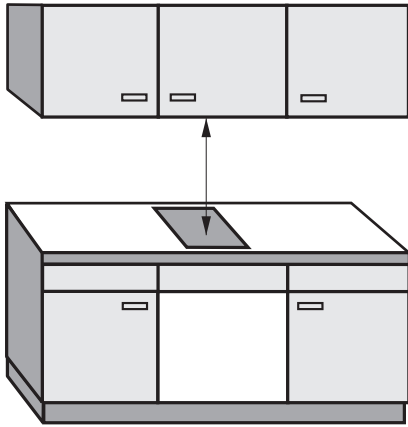
▶ Be sure to comply with the clearance distances listed below.

▶ The appliance must not be permanently sealed into the countertop when installed. The sealing strip under the edge of the appliance provides a sufficient seal for the countertop. See "Sealing".

Keep this instruction book in a safe place for reference and pass it on to any further user.

SAFETY INSTRUCTIONS FOR INSTALLATION

Safety distances above the appliance



If there is more than one appliance beneath a hood (e.g. wok burner and electric cooktop), and they have different minimum safety distances always observe the greater distance.

The minimum distance between the appliance and an installed exhaust hood must be at least $25 \frac{9}{16}$ " (650 mm). However, if the hood manufacturer requires a larger distance, the larger distance takes precedence.

If there are no specifications from the hood manufacturer, or if easily flammable materials (e.g., a hanging cabinet) are installed above the appliance, the clearance must be at least 30" (760 mm).

SAFETY INSTRUCTIONS FOR INSTALLATION

Safety distances to the sides of the appliance

The appliance should only be installed as shown in the illustrations, while maintaining the required safety distances shown. Do not install the appliance between two tall cabinets, this is a fire hazard.

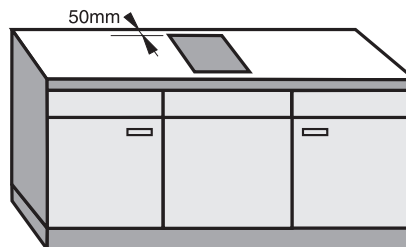
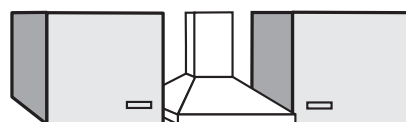
A distance of at least 2" (50 mm) must be kept between the countertop cut-out and the rear wall because of the high temperatures radiated.

The minimum distance ① between the worktop cut-out and a wall or tall unit to the right or left of it is:

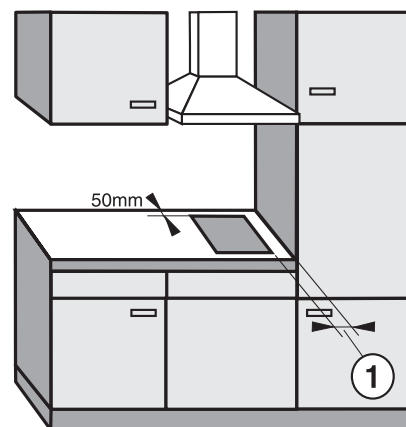
2" (50 mm) for CS 1112
CS 1122
CS 1212
CS 1221
CS 1223
CS 1326
CS 1411

6" (150 mm) for CS 1312
CS 1322
CS 1421

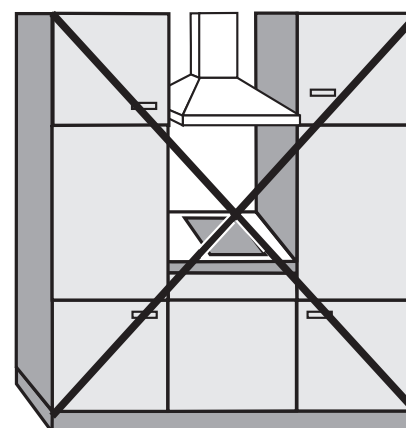
10" (250 mm) for CS 1011
CS 1012
CS 1028



recommended

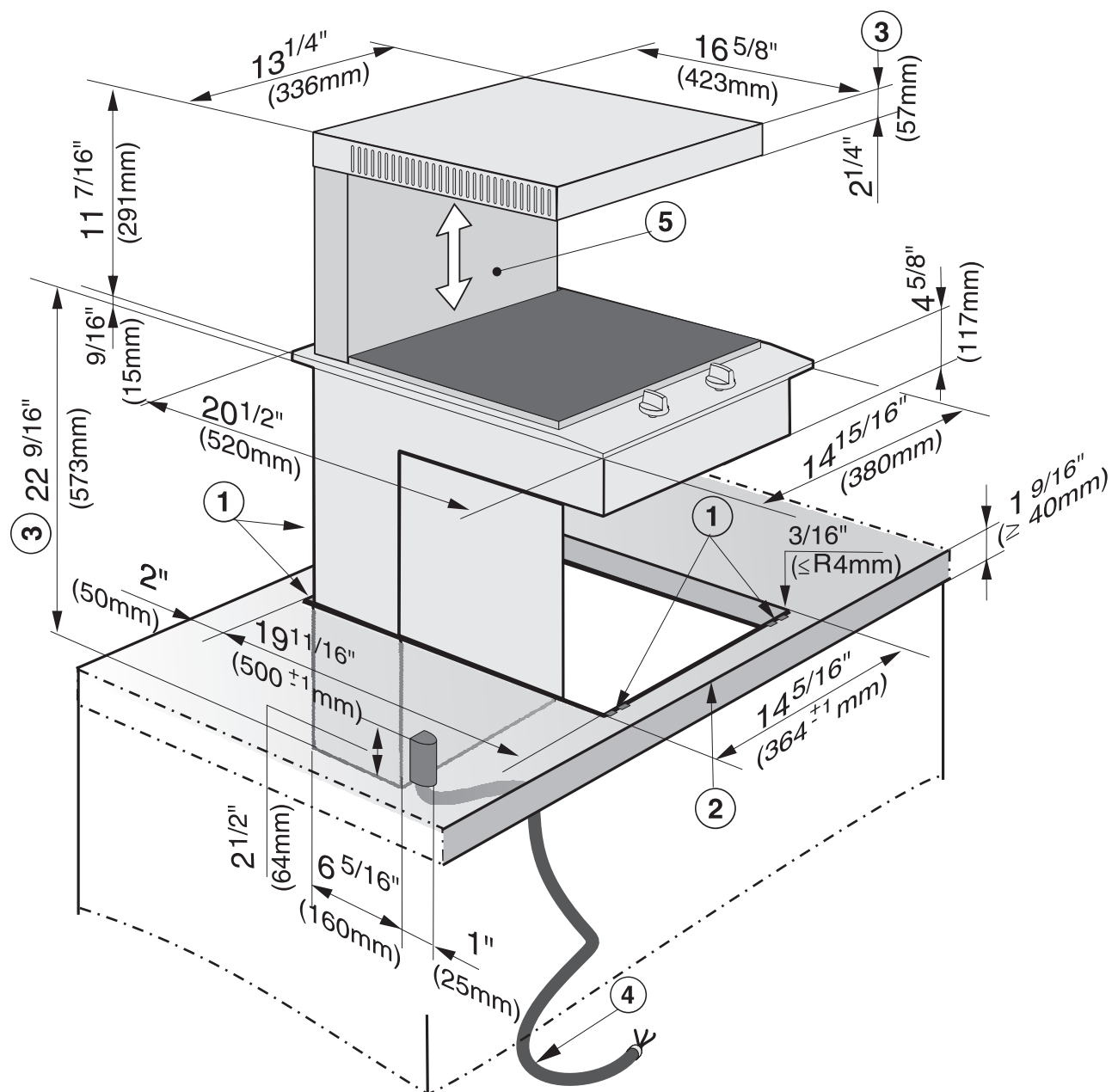


not recommended



not allowed

Installation dimensions



- ① Spring clips
- ② Appliance front
- ③ Installation height
- ④ Power supply box with connection cable,
L = 78 ³/₄" (2000 mm)
- ⑤ Browning unit, height-adjustable

Installation

Cut out

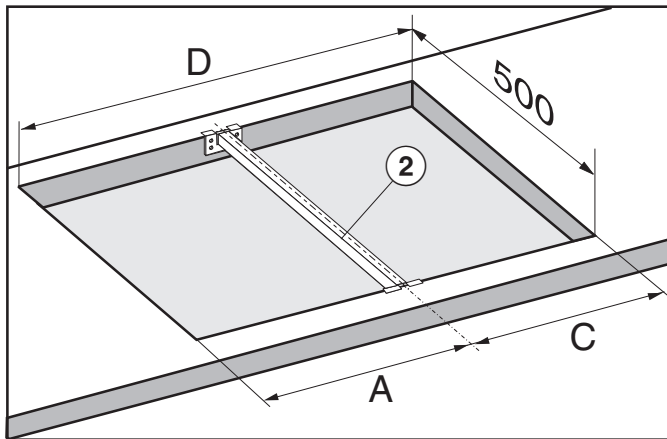
- Make the worktop cut-out for one or more appliances as applicable. Remember to maintain a **minimum safety distance** from the **back wall**, as well as from any **tall unit or side wall** to the right or left of the appliance(s). See also "SAFETY INSTRUCTIONS FOR INSTALLATION".
- Seal the cut surfaces with a suitable sealant to avoid swelling caused by moisture. The materials used must be heat resistant.

If during installation the seal around the frame does not sit flush with the countertop in the corners, the corner radius, maximum $\frac{3}{16}$ " (4 mm), can be carefully filed down to fit.

Installation of multiple appliances

When installing more than one combiset appliance, a support bar ② must be installed between the appliances.

Countertop cut-out two appliances

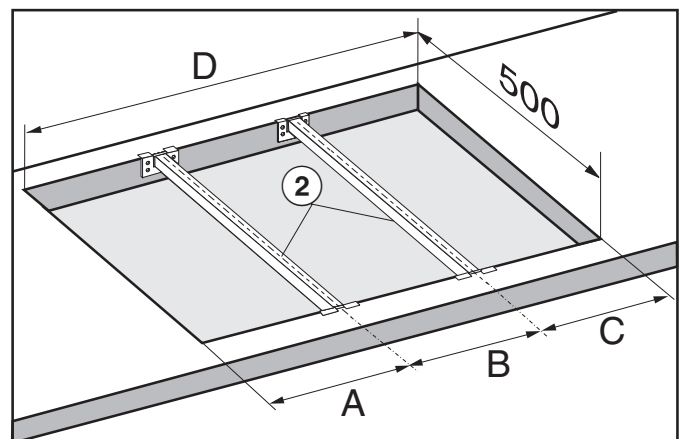


For the installation of **two appliances** the width of the countertop cut-out D is the sum of A and C.

A, B and **C** = appliance widths
 $11 \frac{5}{16}$ " , 15" or $22 \frac{11}{16}$ "
(288 mm, 380 mm or 576 mm)
minus $\frac{5}{16}$ " (8 mm) to allow for the overhang

D = width of the countertop cut-out

Countertop cut-out three appliances



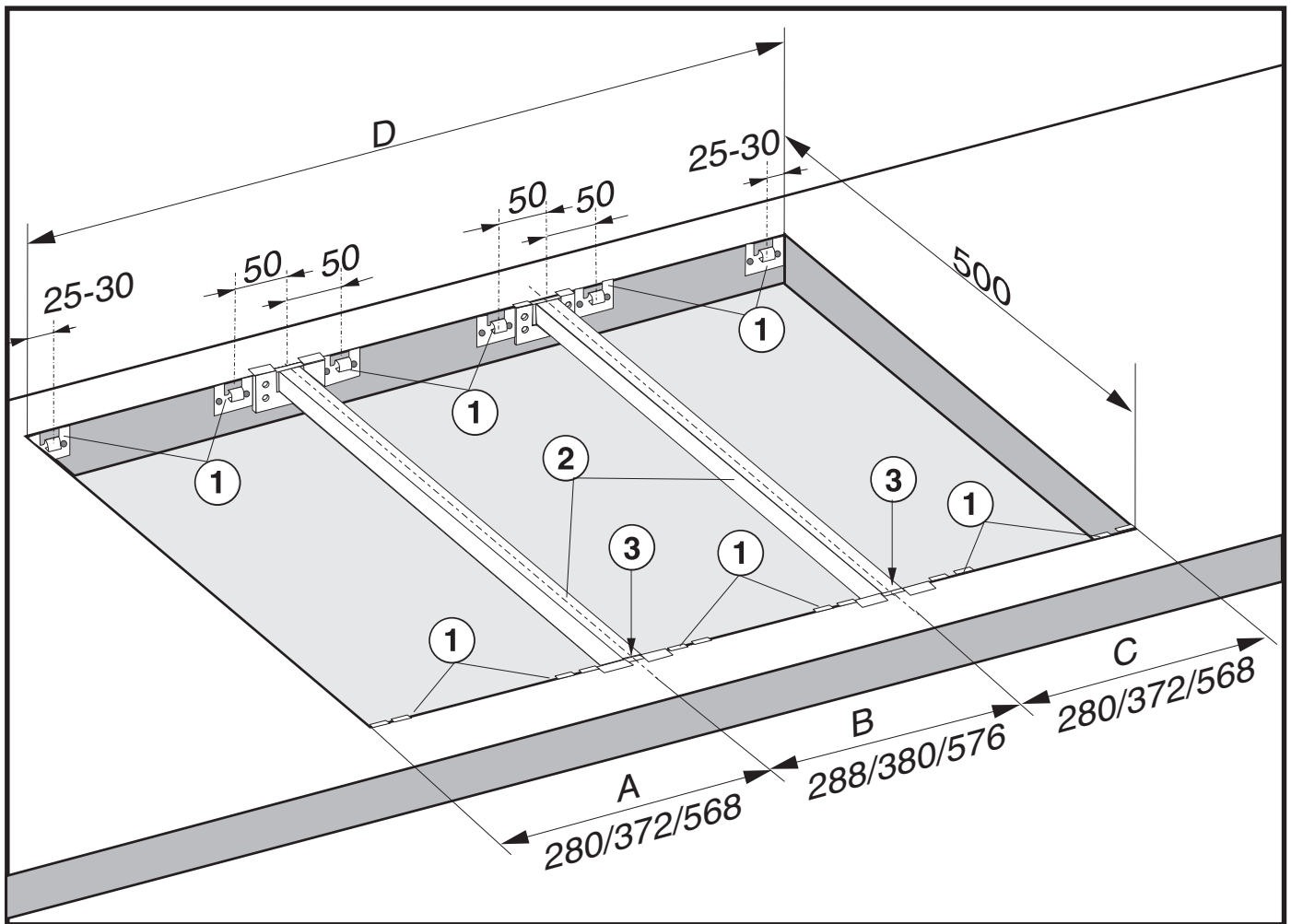
For the installation of **three appliances** the width of the countertop cut-out D is the sum of A and B and C.

If **more than three appliances** are being installed, you will need to add, A, B or C for each additional appliance.

Installation

Sample calculations for a countertop cut-out for three appliances

A appliance width minus $\frac{5}{16}$ " (8 mm)	B appliance width	C appliance width minus $\frac{5}{16}$ " (8 mm)	D Countertop cut-out
11" (280 mm)	$11 \frac{5}{16}$ " (288 mm)	11" (280 mm)	$33 \frac{3}{8}$ " (848 mm)
11" (280 mm)	15" (380 mm)	$14 \frac{5}{8}$ " (372 mm)	$40 \frac{5}{8}$ " (1032 mm)
11" (280 mm)	$22 \frac{11}{16}$ " (576 mm)	$22 \frac{3}{8}$ " (568 mm)	$56 \frac{1}{16}$ " (1424 mm)
$14 \frac{5}{8}$ " (372 mm)	$11 \frac{5}{16}$ " (288 mm)	11" (280 mm)	37" (940 mm)
$14 \frac{5}{8}$ " (372 mm)	15" (380 mm)	$14 \frac{5}{8}$ " (372 mm)	$44 \frac{1}{4}$ " (1124 mm)
$14 \frac{5}{8}$ " (372 mm)	$22 \frac{11}{16}$ " (576 mm)	$22 \frac{3}{8}$ " (568 mm)	$59 \frac{11}{16}$ " (1516 mm)
$22 \frac{3}{8}$ " (568 mm)	$11 \frac{5}{16}$ " (288 mm)	11" (280 mm)	$44 \frac{3}{4}$ " (1136 mm)
$22 \frac{3}{8}$ " (568 mm)	15" (380 mm)	$14 \frac{5}{8}$ " (372 mm)	52" (1320 mm)
$22 \frac{3}{8}$ " (568 mm)	-	$22 \frac{3}{8}$ " (568 mm)	$44 \frac{3}{4}$ " (1136 mm)



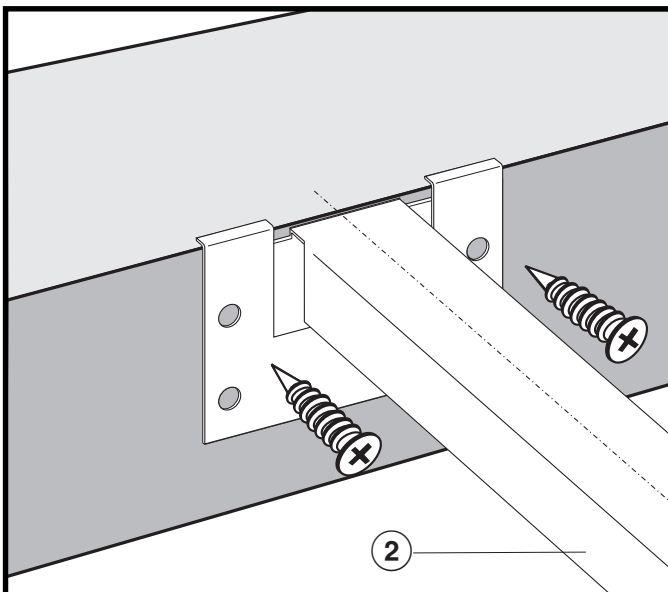
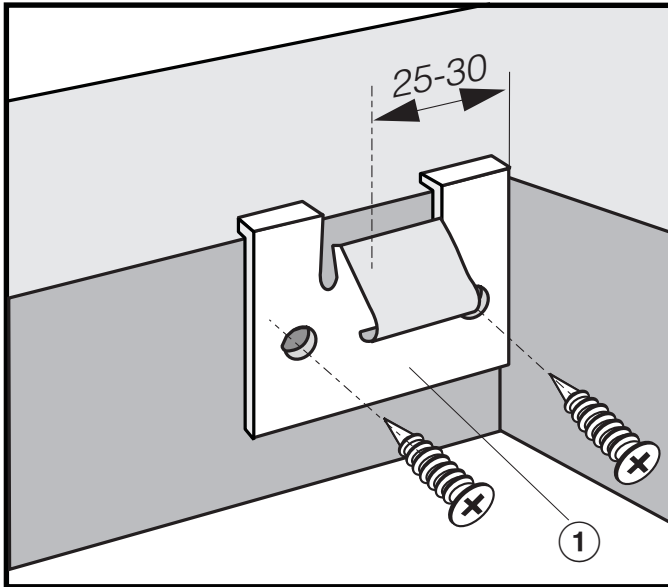
- ① Spring clips
- ② Support bars
- ③ Space between support bar and countertop

An additional support bar is required for each additional appliance. The position for attachment of an additional spacing strip depends on the width of the appliance **B**.

Installation

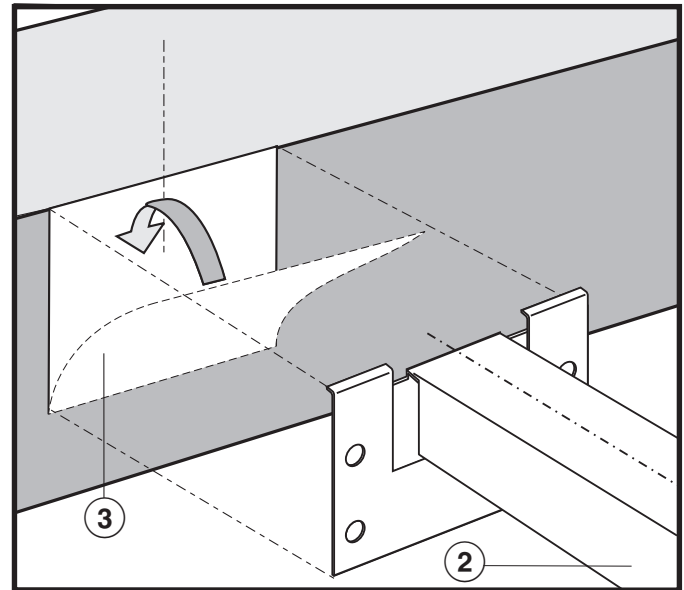
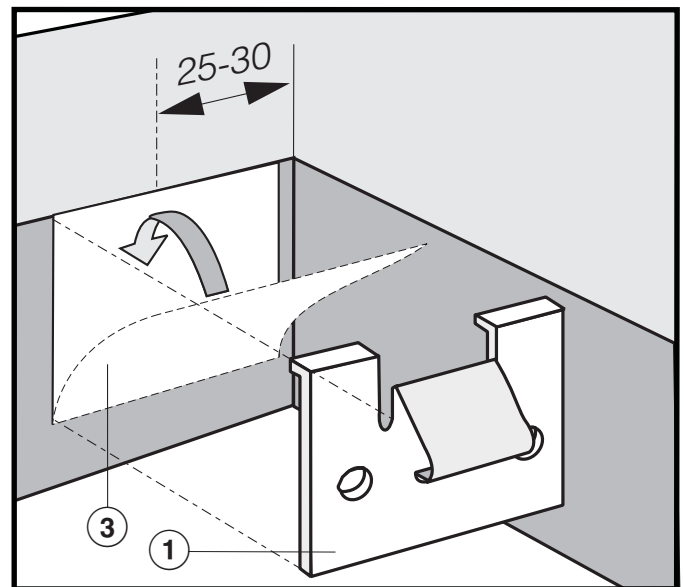
Attach the spring clips and support bars

Wood or solid surface countertops



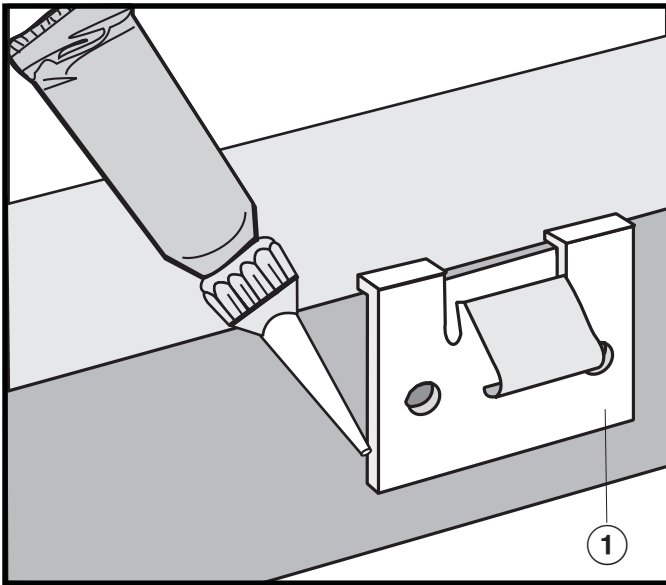
- Place the supplied spring clips ① and the support bars ② at the marked positions as shown above, by laying them on the upper edge of the cut-out and then securing them with the $\frac{1}{8}$ " x 1" (3.5 x 25 mm) screws (supplied).

Granite countertop

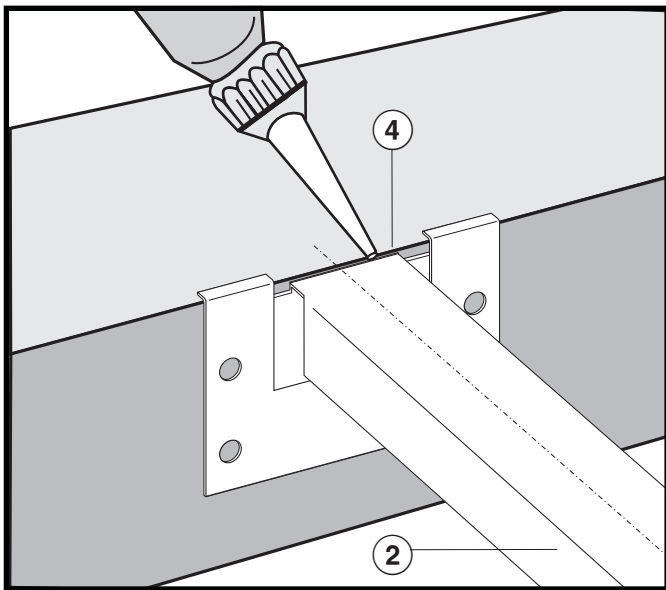


- Position and attach the spring clips ① and support bars ② with strong, double-sided tape ③.

The screws are not needed for granite countertops.



- Coat the edges of the spring clips ①,



- and the space ④ between the strips ② and the countertop with silicone (supplied).

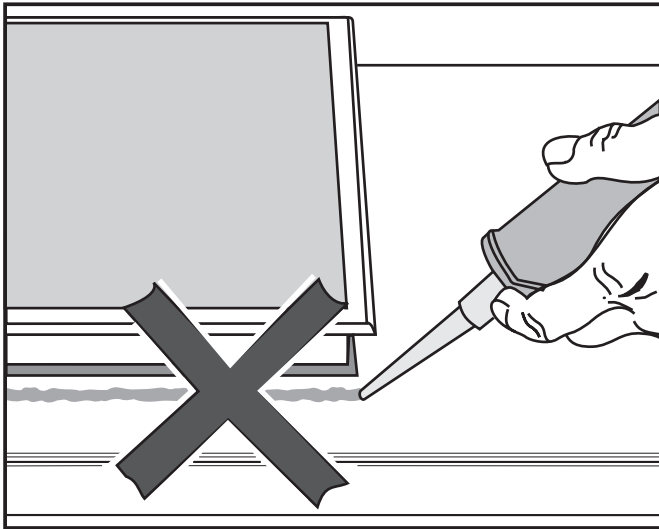
Installation

Installing the appliance

- Feed the power cord down through the cut-out.
- Then place the front side of the appliance in the countertop cut-out.
- Then with a hand on each side of the appliance press down evenly on the edges until it clicks into position. When doing so make sure that the appliance seal sits tightly on the countertop to ensure it is sealed correctly. **Do not** permanently seal into the countertop.
- Connect the appliance to the main power supply.
- Turn the appliance on and check the function.

The appliance can be lifted out using a special tool.
The appliance can also be pushed up and out from underneath. Note that the rear will need to be pushed out first.

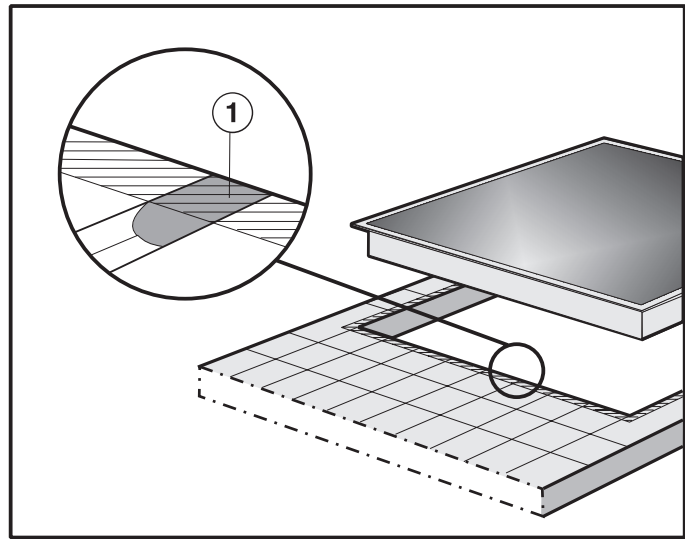
Sealing



The appliance must not be permanently sealed into the countertop when installed. The sealing strip under the edge of the appliance provides a sufficient seal for the countertop.


If the appliance is sealed into position, the countertop or appliance could be damaged if it needs to be removed for maintenance or service.

Tiled surfaces



The grouting ① and shaded area under the appliance frame must be flat and even, so that the frame will lie evenly and the sealing strip under the edge of the upper part of the appliance can provide an adequate seal against the countertop.

Electrical connection

 **CAUTION:** Before installation or servicing, disconnect the power supply by either removing the fuse, shutting off the main power supply or manually "tripping" the circuit breaker.

Installation work and repairs should only be performed by a qualified technician in accordance with all applicable codes and standards. Repairs and service by unqualified persons could be dangerous and the manufacturer will not be held responsible.

Before connecting the appliance to the power supply, make sure that the voltage and frequency listed on the data plate correspond with the household electrical supply. This data must correspond to prevent appliance damage. Consult an electrician if in doubt.

Only operate the combiset after it has been installed into the countertop.

Power supply

- Be sure your electrical supply matches the data plate.

The combiset is equipped with a flexible metal conduit encasing 3 wires ready for connection to a grounded power supply.

A dedicated line and junction box should be used to connect the combiset to a 15 A circuit.

Black wire: connect to L1 (hot)


Red wire: connect to L2 (hot)

Green wire: connect to GND (ground)

240 V, 60 Hz, 15 A fuse rating.

Be sure the power outlet is accessible after installation.

For further information, see the wiring diagram provided with the appliance.

 **WARNING:**
THIS APPLIANCE MUST BE GROUNDED!

Installer:
Please leave these instructions with the consumer.

Help protect our environment

Disposal of packing materials

The cardboard box and packing materials are biodegradable and recyclable. Please recycle.

Ensure that any plastic wrappings, bags, etc. are disposed of safely and kept out of the reach of children.

Danger of suffocation!

Disposal of an old appliance

Old appliances contain materials that can be recycled. Please contact your local recycling authority about the possibility of recycling these materials.

Before discarding an old appliance disconnect it from the electrical supply and cut off the power cord to prevent it from becoming a hazard.



Miele Limited

Headquarters and Showroom

161 Four Valley Drive

Vaughan, ON L4K 4V8

Phone: 800-643-5381

905-660-9936

Fax: 905-532-2290

www.miele.ca

info@miele.ca (general enquiries)

professional@miele.ca (commercial enquiries)

MieleCare National Service

Phone: 800-565-6435

905-532-2272

Fax: 905-532-2292

customercare@miele.ca (technical enquiries)